

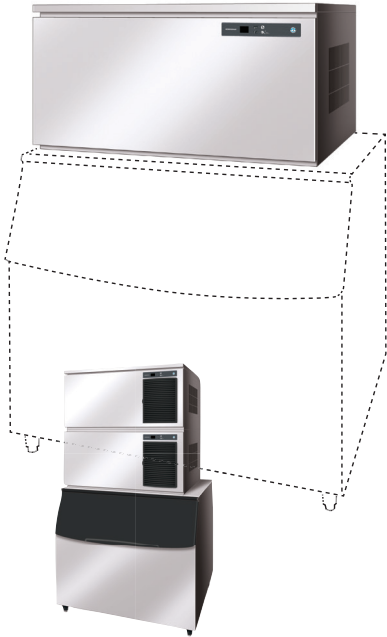


# HOSHIZAKI

## IM-24oDSNE / IM-24oXSNE CUBE ICE MAKER

### Product Description

The IM-24oDSNE and IM-24oXSNE are modular ice makers with an external condenser. One of the biggest advantages of this ice maker is that it can be stacked on one or two IM-24oXSNE's; this would increase the production capacity to either 480 kg or 720 kg per 24 hours.



- A closed water circuit offers the ultimate contamination protection, by reducing the number of points at which impurities can enter the ice making process.
- Hoshizaki ice makers are micro computer controlled, controlling the ice making process to perform at its best under varying circumstances, without having to make physical adjustments.
- A stainless steel exterior provides a hygienic and high quality finish.
- Foam injected polyurethane for insulation (HFC free), helps preserve the quality and consistency of the ice produced, reducing the number of production cycles.
- An easily cleanable air filter allows end users to carry out a routine cleaning schedule, extending product life expectancy and reducing the frequency and costs of maintenance call-outs.

### Available Models

IM-24oDSNE (Air Cooled)
IM-24oDSNE-23 (Air Cooled)
IM-24oXSNE (Air Cooled)
IM-24oXSNE-23 (Air Cooled)
URC-24oCE (remote condenser) with OS Installation Kit

### Ice Cubes

Model	Size	Shape
IM24oDSNE/XSNE	Large (Standard) 28 x 28 x 32 mm	
IM24oDSME-23/XSNE-23	Medium / Large (23) 28 x 28 x 23 mm	

### Bins

Model	Type of Bin	Max. Bin Capacity
B-8o1SA, Top Kit IMD2	Modular	348kg



### Production

Model	Ice Production per 24h (Dimple Size)	Temperature	Ice Production per Cycle	Water Consumption per 24h *
IM-24oDSNE/XSNE	Approx. 240kg (15mm) / 230kg (5mm) Approx. 230kg (15mm) / 220kg (5mm) Approx. 210kg (15mm) / 200kg (5mm)	AT.10°C, WT.10°C AT.21°C, WT.15°C AT.32°C, WT.21°C	Approx. 3.2kg / 140pcs	Approx. 0,76m <sup>3</sup> Approx. 0,38m <sup>3</sup> Approx. 0,35m <sup>3</sup>

\*) for ice making purposes only

### Two year warranty

For more information visit our website at [www.hoshizaki-europe.com](http://www.hoshizaki-europe.com)  
Hoshizaki Europe B.V. retains the right to change products and their specifications without prior notice.

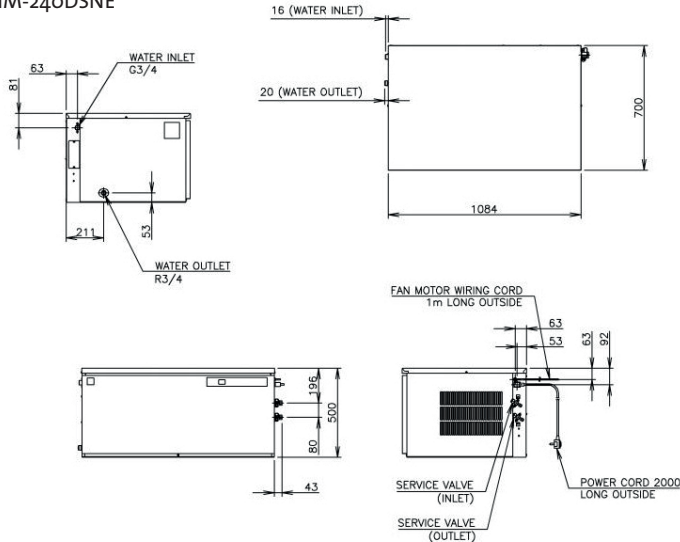




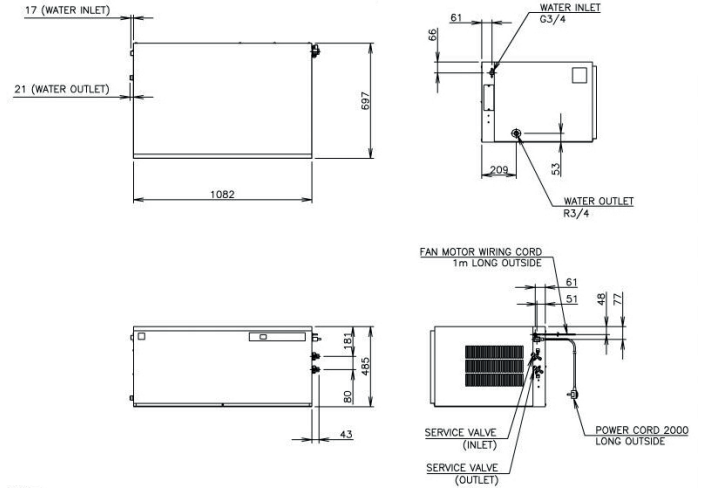
# HOSHIZAKI

## IM-24oDSNE / IM-24oXSNE CUBE ICE MAKER

IM-24oDSNE



IM-24oXSNE



Specification	IM-24oDSNE (Air Cooled)	IM-24oXSNE (Air Cooled)
<b>AC Supply Voltage</b>	1 Phase 220-240V 50Hz	1 Phase 220-240V 50Hz
<b>Amperage (AT.32°C, WT.21°C)</b>	6.5A	6.5A
<b>Electric Consumption (AT.32°C, WT.21°C)</b>	1330W	1330W
<b>Exterior</b>	Stainless Steel, Galvanized Steel (Rear)	Stainless Steel, Galvanized Steel (Rear)
<b>Connections-Electric</b>	X-type Con. (with UK Plug)	X-type Con. (with UK Plug)
<b>Connections-Water Supply</b>	Inlet 3/4" (connected at left side)	Inlet 3/4" (connected at left side)
<b>Connections-Drain</b>	Closed Cell Type	Closed Cell Type
<b>Ice Making System</b>	Hot Gas Defrost	Hot Gas Defrost
<b>Condenser</b>	Tin-plated copper tube on sheet and cells	Tin-plated copper tube on sheet and cells
<b>Refrigerant Control</b>	Thermostatic Expansion Valve	Thermostatic Expansion Valve
<b>Refrigerant Charge</b>	R404A	R404A 1000g
<b>Ice Making Control System</b>	Thermistor, Timer	Thermistor, Timer
<b>Bin Control System</b>	Microswitch With Time Delay	Microswitch With Time Delay
<b>Electrical Protection</b>	Class I Appliance, 13A Fuse built-in UK Plug	Class I Appliance, 13A Fuse built in UK Plug
<b>Compressor Protection</b>	Auto-reset Overload Protector	Auto-reset Overload Protector
<b>Ice Maker Protection</b>	Interlock by Controller Board	Interlock by Controller Board
<b>Dimensions External Condensor</b>	657 x 369 x 426 (W x D x H, mm)	657 x 369 x 426 (W x D x H, mm)
<b>Maximum Distance External Condensor</b>	15 Meters	15 Meters
<b>Dimensions Product excl. Packaging</b>	1084 x 700 x 396 (W x D x H, mm)	1082 x 697 x 485 (W x D x H, mm)
<b>Dimensions Product incl. Packaging</b>	1196 x 824 x 479 (W x D x H, mm)	1196 x 824 x 640 (W x D x H, mm)
<b>Weight Gross / Net</b>	85 kg / 80 kg	99 kg / 81 kg

Operation Requirements	
<b>Ambient Temperature</b>	1 - 40°C
<b>Water Supply Temperature</b>	5 - 35°C
<b>Water Supply Pressure</b>	0,7-7,8 bar (0,07-0,78MPa)
<b>Voltage Range</b>	Rated Voltage ± 6%

Accessories
Scoop
Installation Kit

For more information please contact your local sales office:

Hoshizaki Belgium: info@hoshizaki.be  
 Hoshizaki Deutschland: info@hoshizaki.de  
 Hoshizaki France: info@hoshizaki.fr  
 Hoshizaki Iberia: info@hoshizaki.es  
 Hoshizaki Middle East: sales@hoshizaki.ae

Hoshizaki Nederland: sales@hoshizaki.nl  
 Hoshizaki United Kingdom: uksales@hoshizaki.co.uk  
 Other countries: sales@hoshizaki.nl

[www.hoshizaki-europe.com](http://www.hoshizaki-europe.com)