

No.	F004-3109
ISSUED:	JUN. 20, 2008
REVISED:	NOV. 26, 2013



HOSHIZAKI CRESCENT CUBER

MODEL KM-100A

PARTS LIST

(GENERAL, CHINA, OCEANIA, UK, CONT, PHILIPPINES)

T-1	JUN. 2008
T-2	DEC. 2008
U-0	JAN. 2009
U-1	FEB. 2009
V-0	JAN. 2010
V-1	APR. 2010
V-3	NOV. 2010

AUXILIARY CODE

U - 1

The auxiliary code is the first two characters in the serial number. The first character indicates the production year. Years progress or regress in alphabetical order. The series of letters and skipped letters depend on UL listing, production, and model. See the auxiliary code(s) and corresponding year(s) on the front cover.

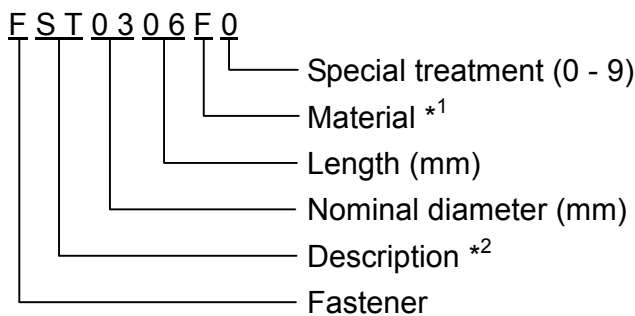
The second character indicates significant part changes within the same year. Base is "1" and this number advances for each change. If there is no significant part change at the turn of the year, this number starts from "0."

MARKS LOCATED UNDER THE AUXILIARY CODE

- = Part deleted.
- x = Part deleted and replaced by "o" part.
- o = New part in place of "x" part.

FASTENER PART NUMBER

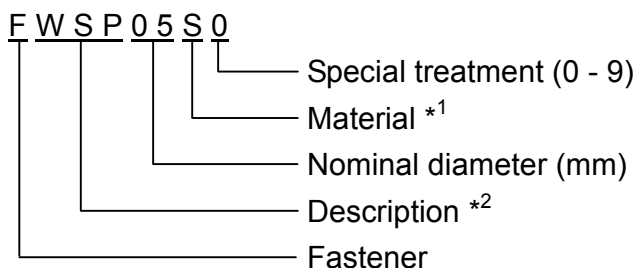
SCREWS



*¹ Material

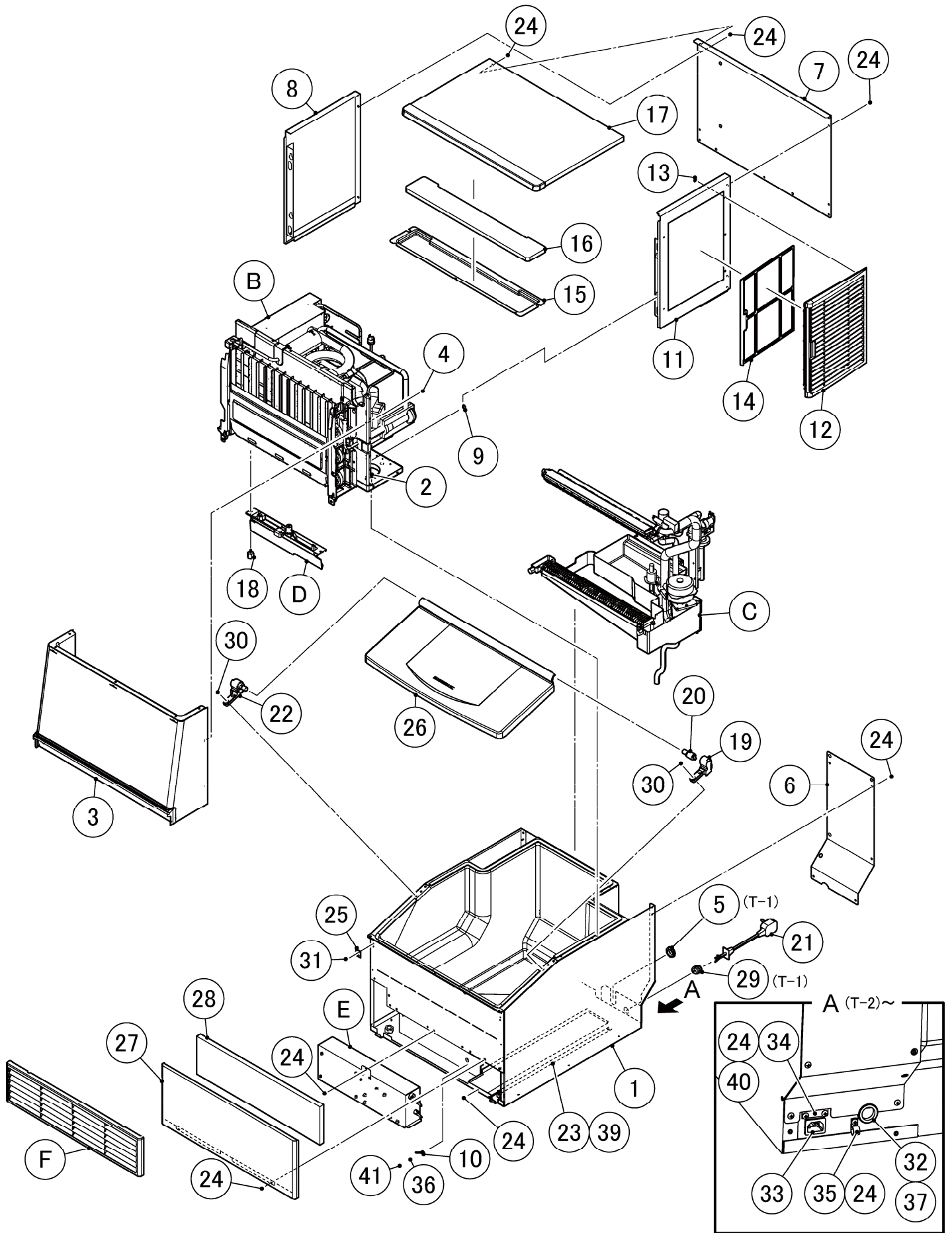
- F: Steel
- S: Austenitic stainless steel
- M: Martensitic stainless steel
- B: Copper alloy
- P: Polycarbonate
- N: Polyamide
- V: PVC
- A: ABS
- X: Polyacetal
- L: Aluminum

NUTS & WASHERS



*² Description

- First letter
- S: Machine screw
- T: Tapping screw
- M: Wood screw
- B: Bolt
- W: Washer
- N: Nut

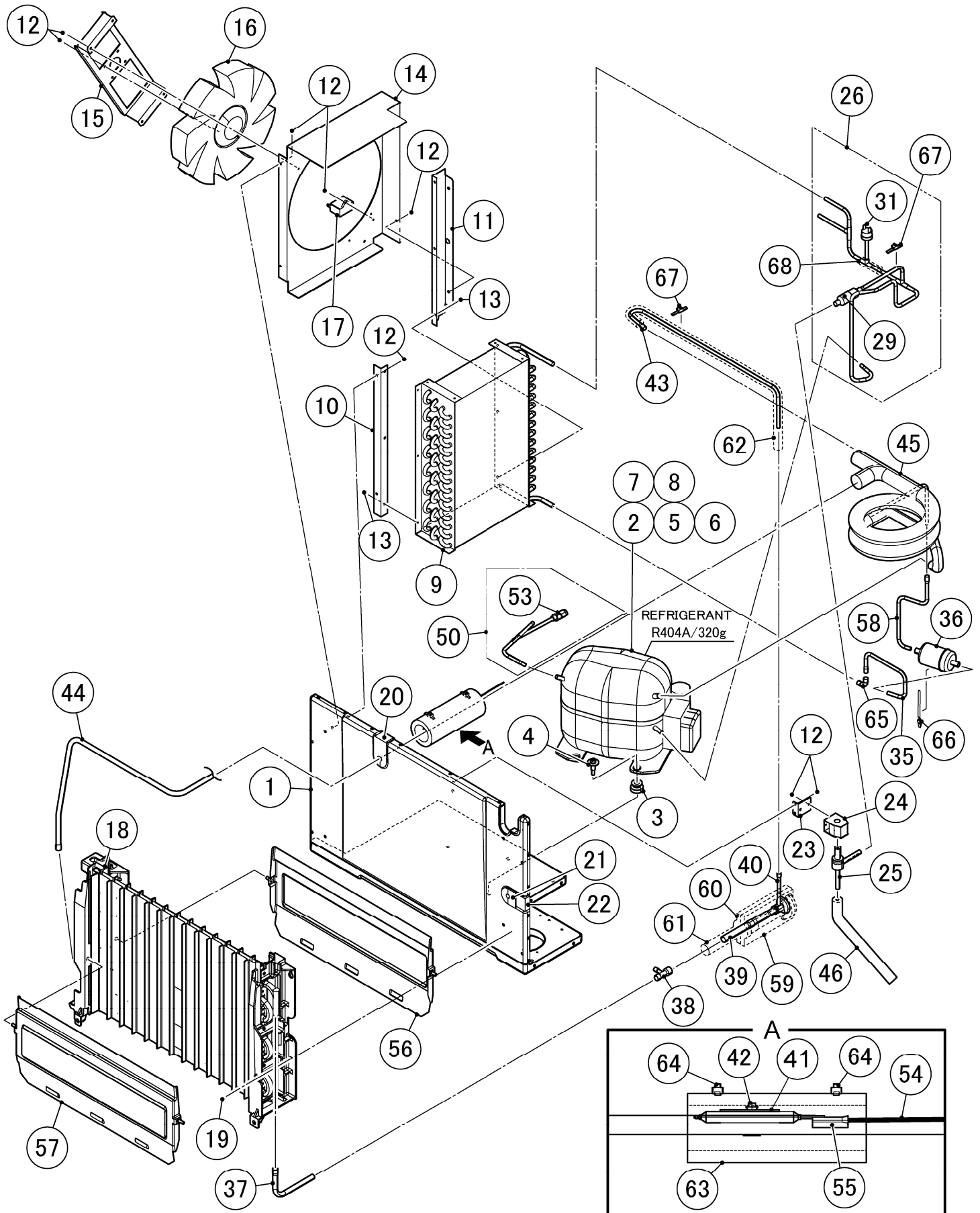


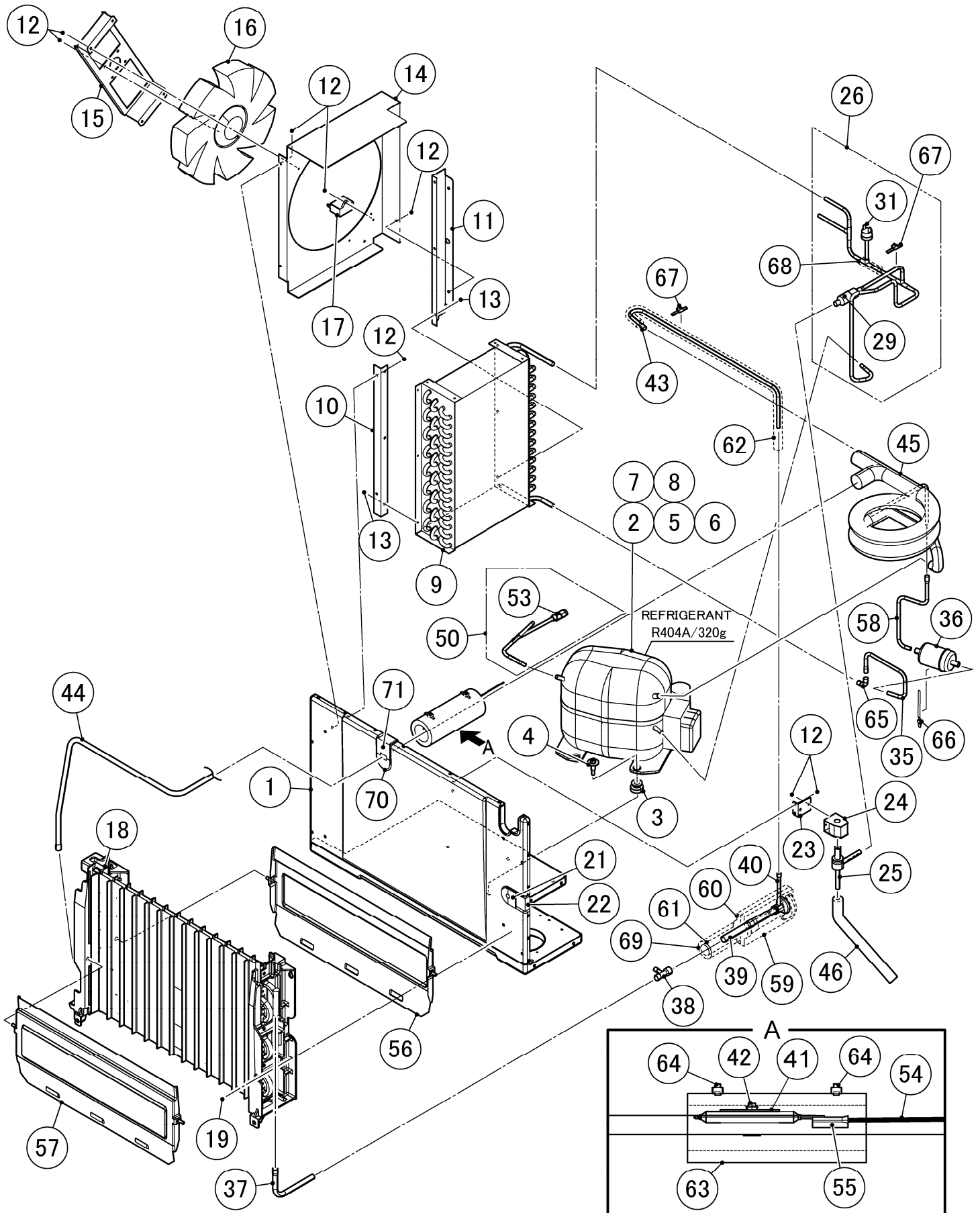
GENERAL, CHINA, OCEANIA, UK, CONT, PHILIPPINES

MODEL: KM-100A		TITLE: A. ICE CUBER ASSY						
INDEX NO.	DESCRIPTION	MATERIAL OR MODEL NUMBER	PART NUMBER	REQ'D NUMBER				
				T-1	T-2 U-0	U-1 V-0	V-1 V-2	V-3
B	REFRIGERATION CIRCUIT		119000A01	1	1	1	1	1
C	WATER CIRCUIT		119001A01	1	1	1	-	-
			120507A01				1	1
D	MECHANICAL BIN SWITCH		370982A01	1	1	1	1	1
E	CONTROL BOX ASSY		371208A01	1	1	-	-	-
		OCEANIA,UK,CONT	371208A03			1	1	1
		CHINA	371208A01			1	1	1
F	LOUVER ASSY - 24		371425A01	1	1	1	1	1
G	LABEL LOCATION	GENERAL, OCEANIA, UK, CONT	255544A01	1	1	1	1	1
		CHINA	255544A02	1	1	1	1	1
		PHILIPPINES	255544001					1
H	ACCESSORIES		A01564-01	1	1	1	1	1
1	BIN ASSY - 24		118999G03	1	1	1	1	1
2	TRUSS HEAD SCREW	SUS 4x30	FST0430S0	3	3	4	4	4
3	FRONT COVER - 24		255322G01	1	1	1	1	1
4	TRUSS HEAD SCREW	SUS 4x20	FST0420S0	4	4	4	4	4
5	BUSHING		471031R01	1	-	-	-	-
6	REAR COVER		371199M01	1	1	1	1	1
7	REAR PANEL (UP) - 24		371248M01	1	1	1	1	1
8	SIDE PANEL (L,UP)		371013G01	1	1	1	1	1
9	TAPER COLLAR		4H0171-01	4	4	4	4	4
10	WIRE HARNESS		255429Z01	1	1	1	1	1
11	SIDE PANEL (R,UP)		371015G01	1	1	1	1	1
12	LOUVER B		121370P01	1	1	1	1	1
13	PUSH RETAINER	94807A024	4A2414-01	3	3	3	3	3
14	AIR FILTER B		121372G01	1	1	1	1	1
15	TOP COVER - 24		255268P01	1	1	1	1	1

GENERAL, CHINA, OCEANIA, UK, CONT, PHILIPPINES

MODEL: KM-100A		TITLE: A. ICE CUBER ASSY						
INDEX NO.	DESCRIPTION	MATERIAL OR MODEL NUMBER	PART NUMBER	REQ'D NUMBER				
				T-1	T-2 U-0	U-1 V-0	V-1 V-2	V-3
16	INSULATION - TOP (24)		472571P01	1	1	1	1	1
17	TOP PANEL - 24		371178G01	1	1	1	1	1
18	THUMBSCREW		415949G12	2	2	2	2	2
19	HINGE MOUNT (R)		370969P01	1	1	1	1	1
20	HINGE	FYN-P1-R103	P01080-01	1	1	1	1	1
21	POWER SUPPLY CODE	GENERAL	P00048-01	1	-	-	-	-
		CHINA	4Y1082-01	1	-	-	-	-
		CHINA,	P01960-01		1	1	1	1
		OCEANIA	P02796-01		1	1	1	1
		UK	P02795-01		1	1	1	1
		CONT	P02794-01		1	1	1	1
		PHILIPPINES	P02026-01					1
22	HINGE MOUNT (L)		370970P01	1	1	1	1	1
23	WIRE COVER		371197M01	1	1	-	-	-
24	TRUSS HEAD SCREW	4x8	FST0408F0	24	27	27	27	27
25	CLAMP		472587M01	2	2	2	2	2
26	DOOR ASSY - 24		371214G01	1	1	1	1	1
27	FRONT PANEL (LO)		255033M01	1	1	1	1	1
28	INSULATION (F) - 24		472743P01	1	1	1	1	1
29	BUSHING	SR-7K-2	420472-02	1	-	-	-	-
30	PAN HEAD SCREW (S)	SUS 5x16 KP-707Y, RVV 3x1.0	FSS0516S0	4	4	4	4	4
31	TRUSS HEAD TAPPING SCREW (TYPE B)	4x8	FT20408F0	2	2	2	2	2
32	GROMMET		410466-14		1	-	-	-
33	CONNECTOR		P02656-01		1	1	1	1
34	WIRE COVER (B)		473272M01		1	1	1	1
35	NYLON CLAMP	NK-6N	418814-06		1	1	1	1
36	SPRING WASHER		FWSP04S0	1	1	1	1	1
37	BUSHING		428394-04			1	1	1
39	WIRE COVER		372564M01			1	1	1
40	WIRE COVER(B)		473820M01			1	1	1
41	TRUSS HEAD SCREW	4x8	FST0408S0	1	1	1	1	1



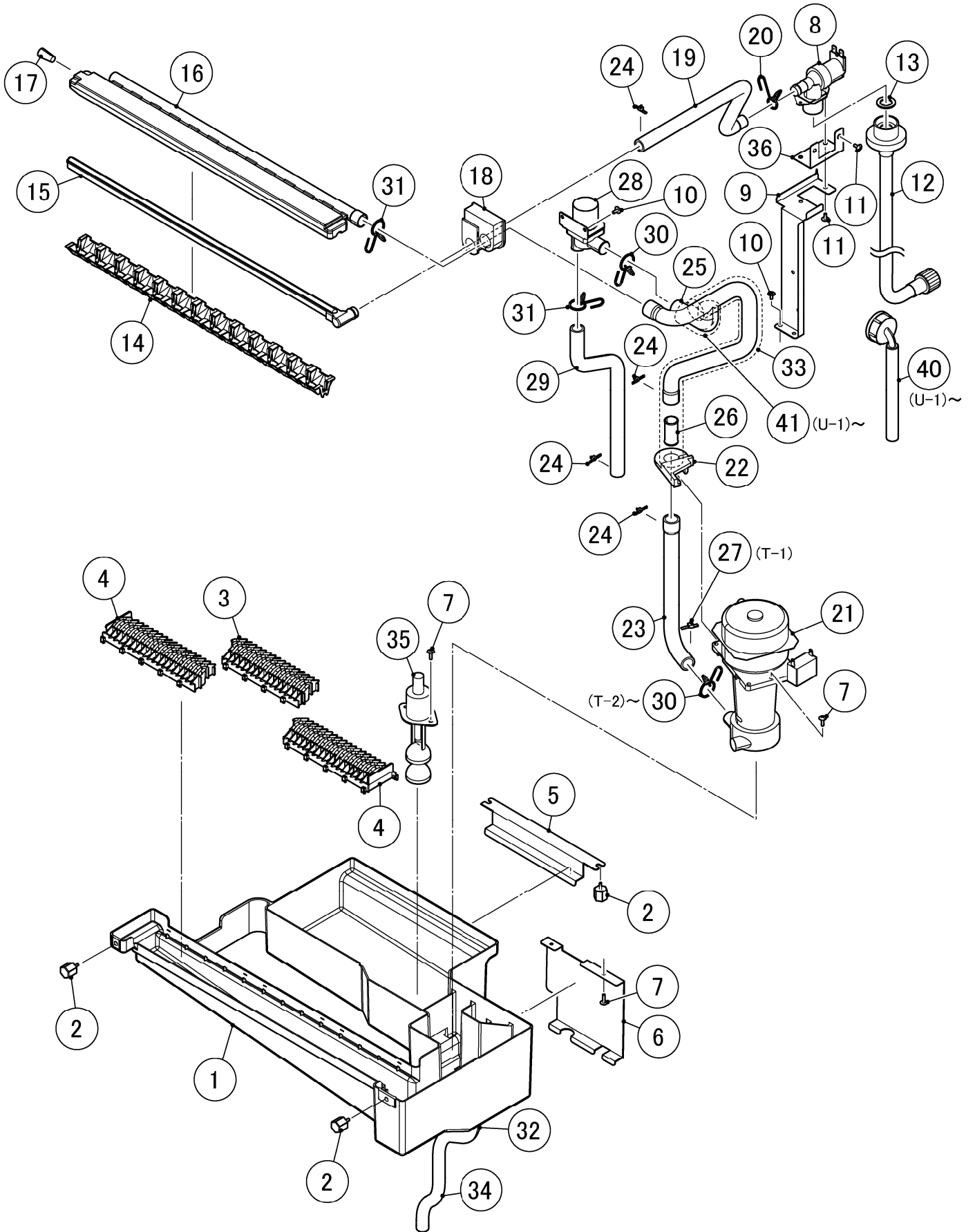


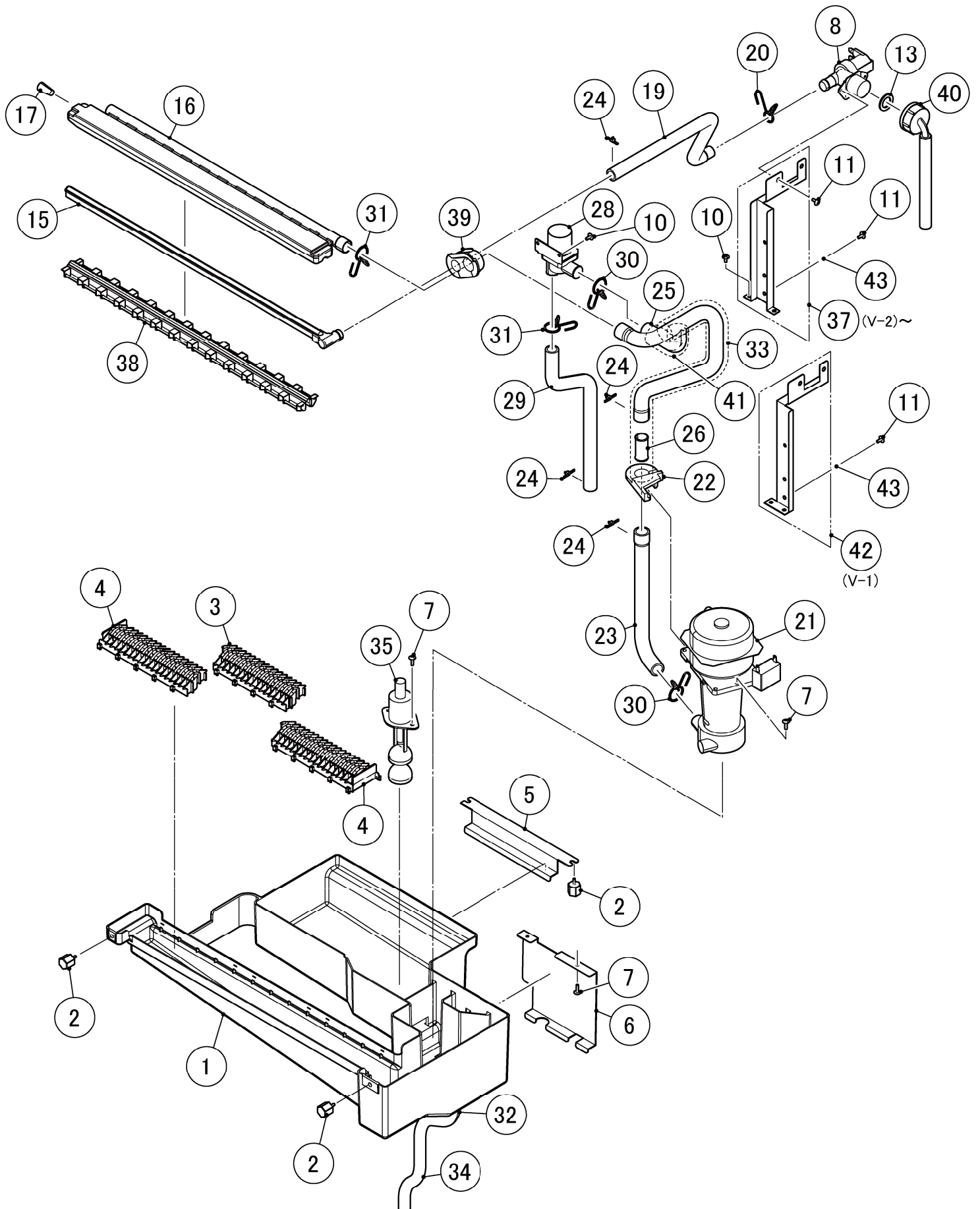
GENERAL, CHINA, OCEANIA, UK, CONT

MODEL: KM-100A									
TITLE: B. REFRIGERATION CIRCUIT									
INDEX NO.	DESCRIPTION	MATERIAL OR MODEL NUMBER	PART NUMBER	REQ'D NUMBER					
				T-1	T-2 U-0	U-1 V-0	V-1 V-2	V-3	
1	BASE ASSY 24		371252G01	1	1	1	-	-	
			374029G01				1	1	
2	COMPRESSOR	SC10DL 230V 50Hz	P01055-01	1	1	1	1	1	
3	RUBBER GROMMET		450897-01	4	4	4	4	4	
4	BOLT		468180-01	3	4	4	4	4	
5	STARTER		455607-01	1	1	1	1	1	
6	COVER		459924-01	1	1	1	1	1	
7	STARTING CAPACITOR		456350-01	1	1	1	1	1	
8	CORD RELIEF		452239-01	1	1	1	1	1	
9	CONDENSER		P00823-01	1	1	1	1	1	
10	BRACKET (A) - CONDENSER		472458M01	1	1	1	1	1	
11	BRACKET (B) - CONDENSER		472463M01	1	1	1	1	1	
12	TRUSS HEAD SCREW	4X8	FST0408F0	20	20	20	20	20	
13	T2 SCREW	4X8	FT20408M0	6	6	6	6	6	
14	SHROUD - 24		255353M01	1	1	1	1	1	
15	BRACKET - FAN MOTOR		371200M01	1	1	1	1	1	
16	FAN MOTOR	A4E250-AH02-01	P00824-01	1	1	1	1	1	
17	CAPACITOR		P00849-01	1	1	1	1	1	
18	EVAPORATOR ASSY		371399G01	1	1	1	-	-	
			374022G01				1	1	
19	TRUSS HEAD SCREW	SUS 4X12	FST0412S0	4	4	4	4	4	
20	GROMMET (A)		472435R01	1	1	1	-	-	
21	GROMMET (C1)		472437R01	1	1	1	1	1	
22	GROMMET (C2)		472560R01	1	1	1	1	1	
23	BRACKET - HOT GAS		472590M01	1	1	1	1	1	
24	COIL - VALVE	AMS-C23HD-2	P00810-01	1	1	1	1	1	
25	VALVE BODY	ATS-B7SHDU-2	4A3978-01	1	1	1	1	1	
26	COPPER TUBE (A) - H		371396G01	1	1	1	1	1	
29	STRAINER	COPPER TUBE (A) - H 371396G01	P00812-01	1	1	1	1	1	

GENERAL, CHINA, OCEANIA, UK, CONT

MODEL: KM-100A		TITLE: B. REFRIGERATION CIRCUIT						
INDEX NO.	DESCRIPTION	MATERIAL OR MODEL NUMBER	PART NUMBER	REQ'D NUMBER				
				T-1	T-2 U-0	U-1 V-0	V-1 V-2	V-3
31	PRESSURE SWITCH	COPPER TUBE (A) - H 371396G01 ACB-1UB44	463180-04	1	1	1	1	1
35	COPPER TUBE (B) - H		472748M01	1	1	1	1	1
36	DRIER	DML032s	463542-01	1	1	1	1	-
37	COPPER TUBE (B) - L		472597M01	1	1	1	-	-
			474848M01				1	1
38	TEE	111R-642	436000-08	1	1	1	1	1
39	COPPER TUBE (A) - L		472596M01	1	1	1	1	1
40	EXP. VALVE	HFE-5NHD-1	452870-01	1	1	1	1	1
41	HOLDER - EXPV		451267-01	1	1	1	1	1
42	CLAMP		443461-01	1	1	1	1	1
43	COPPER TUBE (C) - H		371398M01	1	1	1	1	1
44	COPPER TUBE (C) - L		371397M01	1	1	1	-	-
			374258M01				1	1
45	HEAT EXCHANGER		255493G01	1	1	1	1	1
46	COPPER TUBE - HOT GAS		371216G01	1	1	1	1	1
50	COPPER TUBE - ACCESS VALVE		472598G01	1	1	1	1	1
53	ACCESS VALVE	COPPER TUBE - ACCESS VALVE 472598G01 TCJ-2F20NH DU-1	457729-01	1	1	1	1	1
54	THERMISTOR		P00027-01	1	1	1	1	1
55	HOLDER - THERMISTOR		436455-01	1	1	1	1	1
56	SEPARATOR		370971G01	1	1	1	1	1
57	SEPARATOR		370971G02	1	1	1	1	1
58	COPPER TUBE (E) - H		472749M01	1	1	1	1	1
59	COVER (A) - EXP. VALVE		324313-01	1	1	1	1	1
60	COVER (B) - EXP. VALVE		324313-02	1	1	1	1	1
61	INSULATION TUBE	7762-1323L=140	H71323140	1	1	1	1	1
62	INSULATION TUBE	7762-0717L=600	H70717600	1	1	1	1	1
63	INSULATION TUBE	7762-3858L=150	H73858150	1	1	1	1	1
64	TIE	CV-200	7920-0010	2	2	2	2	2
65	ELBOW		417395-21	1	1	1	1	1



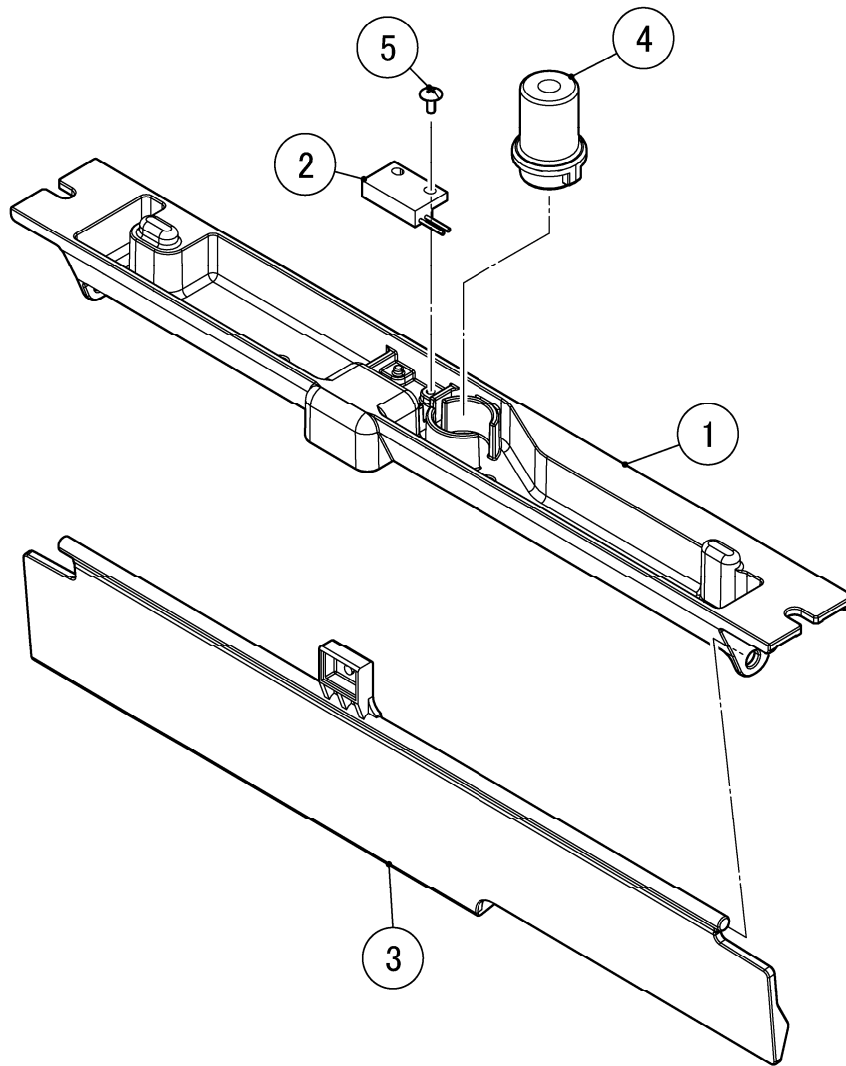


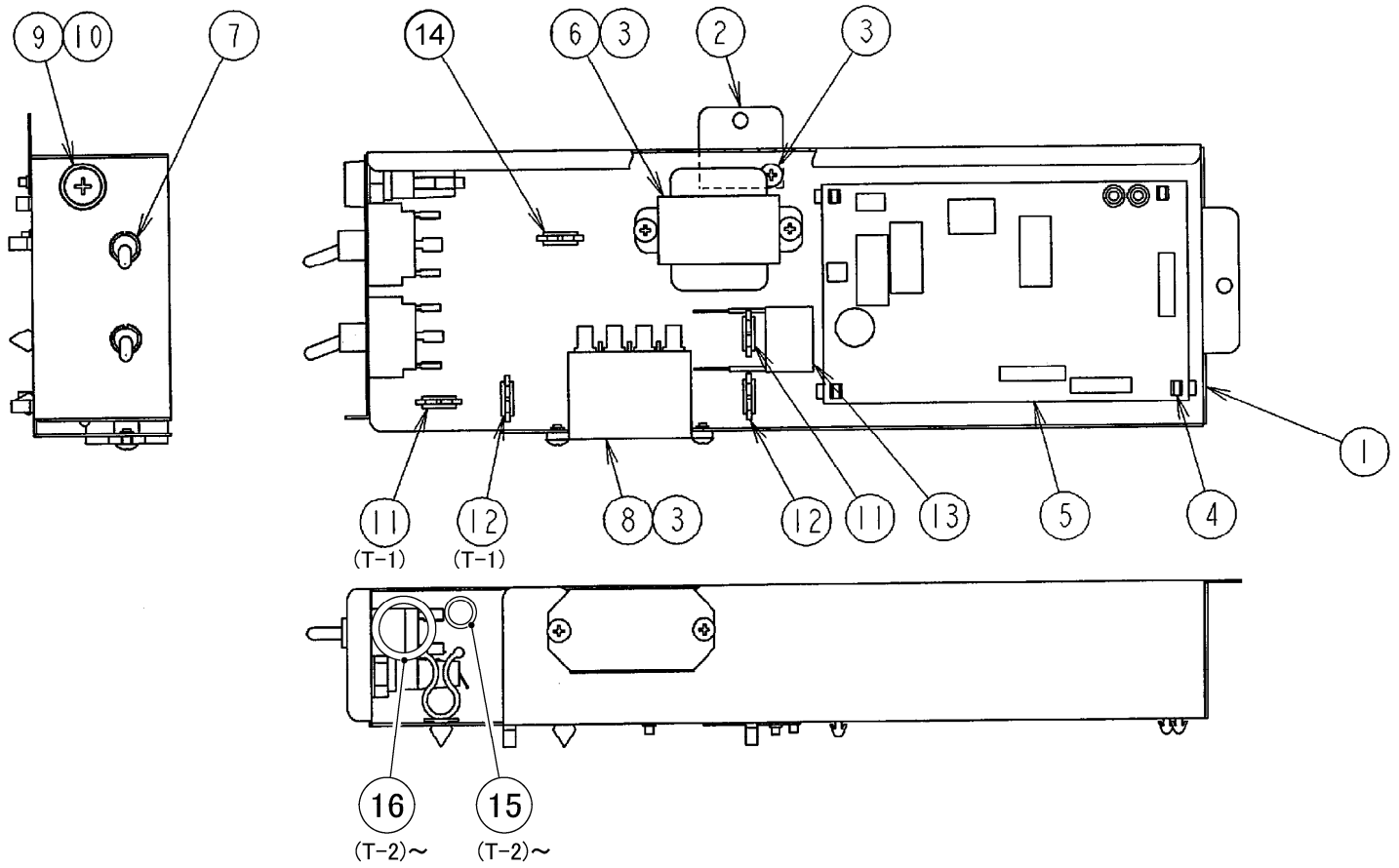
GENERAL, CHINA, OCEANIA, UK, CONT, PHILIPPINES

MODEL: KM-100A		TITLE: C. WATER CIRCUIT						
INDEX NO.	DESCRIPTION	MATERIAL OR MODEL NUMBER	PART NUMBER	REQ'D NUMBER				
				T-1	T-2 U-0	U-1 V-0	V-1 V-2	V-3
1	TANK - 24		118944P01	1	1	1	1	1
2	THUMBSCREW		415949G12	4	4	4	4	4
3	CUBE GUIDE (B)		2A3363-01	1	1	1	1	1
4	CUBE GUIDE (A)		2A3362-01	2	2	2	-	-
			258598P01				2	2
5	HOOK (B) - TANK		371007M01	1	1	1	1	1
6	HOOK (D) - TANK		371204M01	1	1	1	1	1
7	TRUSS HEAD SCREW	SUS 4x12	FST0412S0	7	7	7	6	6
8	WATER VALVE	2L/min	P01031-01	1	1	1	1	1
9	BRACKET (A) - WATER VALVE		371011M01	1	1	1	-	-
10	TRUSS HEAD SCREW	4x8	FST0408F0	4	4	4	5	5
11	TRUSS HEAD SCREW	SUS 4x8	FST0408S0	4	4	4	3	3
12	HOSE	L=2500	462060-04	1	1	-	-	-
13	RUBBER GASKET		413854-03	1	1	1	1	1
14	SPRAY GUIDE		118939P02	1	1	1	-	-
15	WATER SUPPLY TUBE		250743-03	1	1	1	1	1
16	SPRAY TUBE - 24		255329P01	1	1	1	1	1
17	PLUG		4A0176-01	1	1	1	1	1
18	GROMMET (B)		472436R01	1	1	1	-	-
19	WATER SUPPLY PIPE (D)		472440R01	1	1	1	1	1
20	HOSE CLAMP	13.5mm SUS	P02909-07	2	2	2	2	2
21	PUMP MOTOR	PV-0512BHZ1	P00020-01	1	1	1	1	1
22	COVER - PUMP MOTOR		371173R01	1	1	1	1	1
23	WATER SUPPLY PIPE (E)		472558R01	1	1	1	-	-
			474711R01				1	1
24	TIE	CV-100	7920-0002	4	4	4	3	3
25	WATER SUPPLY PIPE (C)		255397R01	1	1	1	1	1
26	SOCKET		472564P01	1	1	1	1	1
27	TIE	CV-150	7920-0003	1	-	-	10	10
28	SOLENOID VALVE		P00018-01	1	1	1	1	1

GENERAL, CHINA, OCEANIA, UK, CONT, PHILIPPINES

MODEL: KM-100A		TITLE: C. WATER CIRCUIT						
INDEX NO.	DESCRIPTION	MATERIAL OR MODEL NUMBER	PART NUMBER	REQ'D NUMBER				
				T-1	T-2 U-0	U-1 V-0	V-1 V-2	V-3
29	DRAIN PIPE		472441R01	1	1	1	-	-
			472441R02				1	1
30	HOSE CLAMP	20mm SUS	P02909-06	1	2	2	3	3
31	HOSE CLAMP	18mm SUS	P02909-05	2	2	2	1	1
32	SILICONE HOSE	φ14×φ18×L30	H11418030	1	1	1	1	1
33	INSULATION HOSE	7762-2030L=480	H72030480	1	1	1	1	1
34	DRAIN PIPE (B)		472442P01	1	1	1	1	1
35	FLOAT SWITCH	OLV-29Z-2P2	P00816-01	1	1	1	1	1
36	BRACKET(B) - WATER VALVE		472772M01	1	1	1	-	-
37	BRACKET(A) - WATER VALVE		374255M01					1
38	SPRAY GUIDE		258313P05				1	1
39	GROMMET		474786R01				1	1
40	HOSE		P01401-01			1	1	1
41	INSULATION TUBE		H72030090			1	1	1
42	BRACKET(A) - WATER VALVE		373978M01				1	-
43	SPRING WASHER		FWSP04S0	1	1	1	1	1





GENERAL, CHINA, OCEANIA, UK, CONT

MODEL: KM-100A		TITLE: E. CONTROL BOX ASSY						
INDEX NO.	DESCRIPTION	MATERIAL OR MODEL NUMBER	PART NUMBER	REQ'D NUMBER				
				T-1	T-2 U-0	U-1 V-0	V-1 V-2	V-3
1	CONTROL BOX		118864M01	1	1	-	-	-
		CHINA	118864M01			1	1	1
		OCEANIA,UK,CONT	118864M02			1	1	1
2	BRACKET - CONTOROL BOX		472575M01	1	1	1	1	1
3	TRUSS HEAD SCREW	4x6	FST0406F0	5	5	5	5	5
4	BOARD SUPPORT		468879-01	4	4	4	4	4
5	CONTROLLER BOARD	HS2006071	P00013-02	1	1	1	-	-
		HKM2006V003	P01771-02				1	1
6	TRANSFORMER	DB48-26	P00012-01	1	1	1	1	1
7	TOGGLE SWITCH	KND203	P00033-01	2	2	-	-	-
		CHINA	P00033-01			2	2	2
		OCEANIA,UK,CONT	P01206-01			2	2	2
8	POWER RELAY	G7L-1A-TUB	P00034-01	1	1	1	1	1
9	FUSE HOLDER	BF115	P00014-01	1	1	-	-	-
		CHINA	P00014-01			1	1	1
		OCEANIA,UK,CONT	P01397-01			1	1	1
10	FUSE	125/250V 5A	P00015-01	1	1	1	1	1
11	CLAMP	No.249	427902-03	2	1	1	1	1
12	CLAMP	No.248	427902-04	2	1	1	1	1
13	CAPACITOR	REB474	P00228-01	1	1	1	1	1
14	CLAMP	No.4253	427902-05	1	1	1	1	1
15	BUSHING	OCB-500	428394-02		1	1	1	1
16	BUSHING	OCB-1000	428394-05		1	1	1	1

